



标准&定制开关连接器产品制造商
DONG GUAN XI BANG ELECTRONICS CO., LTD.

规格书

SPECIFICATION

CUSTOMER NAME 客户名称: _____
 CUSTOMER NO. 客户编号: _____
 SERIES 系列: 弹簧震动开关
 MODEL NO. 型号: XB-SW-3080-20
 DRAWING NO. 图形号: Spring vibration switch

If specification of this product meets your request, please confirm all the items of it and return to us with signature and stamp, it will be basis of our production and record. Thanks your cooperation in advance!

若此产品规格符合贵司要求，敬请确认此规格书内所有项目
 并签名和盖章后回传给我司，以作我司产品制作之
 依据和存档之用，多谢合作！

EXAMINE & APPROVAL 审批

APPROVE 接受	NOT APPROVE 不接受
SIGNATURE 签署 STAMP 盖章 DATE 日期	

PREPARED BY.制表人	CHECKED BY.校对	APPROVED BY.审核	APPROVAL BY. 批准
<div style="border: 1px solid red; padding: 2px; display: inline-block;">研发部</div> <div style="border: 1px solid red; padding: 2px; display: inline-block;">戴海明</div> <div style="border: 1px solid red; padding: 2px; display: inline-block;">2022. 06. 08</div>	<div style="border: 1px solid red; padding: 2px; display: inline-block;">品质部</div> <div style="border: 1px solid red; padding: 2px; display: inline-block;">黄自清</div> <div style="border: 1px solid red; padding: 2px; display: inline-block;">2022. 06. 08</div>	<div style="border: 1px solid red; padding: 2px; display: inline-block;">工程部</div> <div style="border: 1px solid red; padding: 2px; display: inline-block;">庞军</div> <div style="border: 1px solid red; padding: 2px; display: inline-block;">2022. 06. 08</div>	<div style="border: 1px solid red; padding: 2px; display: inline-block;">总经办</div> <div style="border: 1px solid red; padding: 2px; display: inline-block;">吴量</div> <div style="border: 1px solid red; padding: 2px; display: inline-block;">2022. 06. 08</div>

东莞市溪榜电子有限公司

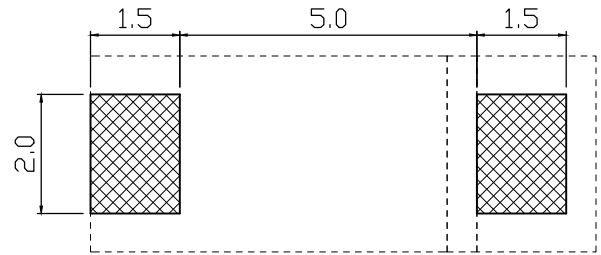
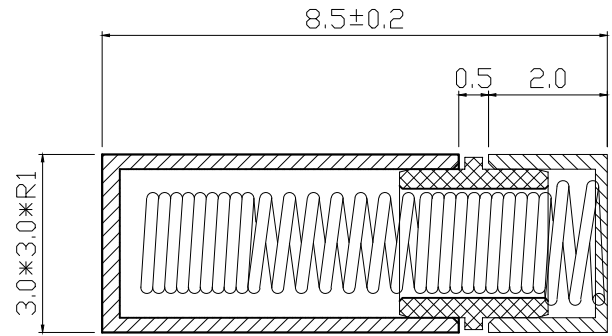
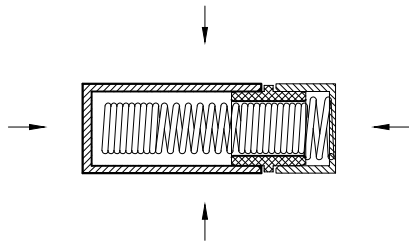
Dong guan Xi Bang Electronics Co., Ltd
 地址: 广东省东莞市黄江镇合路工业区
 Address: He Lu Industrial Zone, Huangjiang Town
 ,Dongguan City, Guangdong Province
 Tel: (0769)82055138/82056828
 Fax: (0769)83663452

邮箱: admin@alspr.com switch@alspr.com
<http://www.alspr.cn/> <http://www.alspr.com/>

Dong Guan XB Electronics Co., Ltd

AccountNumber: 705540238
 BankName: Citibank N. A., HongKongBranch
 Country/Region: Hong Kong
 BankCode: 006
 BankAddress: 3GardenRoad, Central, Hong Kong
 SWIFT/BIC: CITIHKHX (CITIHKHXXXX*If11charactersare
 required)

MAil: HK@ALPSR.CN XB@ALPSR.CN
 Quality core! Afterburner for Made in China!



PCB Weld zone

By external force touch or shaking will be conduct instantaneously.

Feature:

1. XB-SW-3080 is spring type, Non-direction vibration induced trigger switches , any angle can be trigger.
2. The series of switches, at the rest is open circuit "OFF-state", When the external force to touch and reach the corresponding vibration, Or move in speed to reach the adequate centrifugal force. The conductive feet will be conduct instantaneously "ON-State". When the external force disappear, the switches will be revert the "OFF-State".
3. The series of switches trigger sensitivity can be customize according to the customer requirement.
4. In the normal, the switches lifespan can be reached 200,000 cycles.
5. Suitable for the toys, anti-theft alarm system, electronics scales etc electronic product.

Title	XB-SW-3080-20 Vibration switches			Operating lifespan	200,000 cycles				
Part No.				Humidity	95% RH, 40°C for 96 hours				
Drawing No.				Pull force of terminal	500gf for 1 minute				
Unit	MM	VER	A	Temperature range	-40°C to 80°C				
Scale	4:1	DSGD		Open resistance	>10M ohm				
Drawing		Date	2023. 1. 22	Closed resistance	<10 ohm	4	Plastic	Temperature resistance nylon	1
Check		Date		Conductive time	About 2mS	3	Cap 2	Brass, gold-plated	1
Approval		Date		Current	<20mA	2	Spring	Phosphor copper	1
XIBANG ELECTRONICS CO., LTD. http://www.alpsr.cn www.alpsr.com TEL: 0769-82055138 82056828 Fax: 0769-83663452				Voltage	<12V	1	Copper Cap	Brass, gold-plated	1
Characteristics						No.	Part name	Material	QTY